

NOC GEM & MINERAL SOCIETY NEWS

Vol, 17 No. 2

February 1998

Prez's Message

by Mike Maneth

Quartzite is over for another year and I hope everyone that was able to attend returned safe and sound with all their bargains

The SHOW is next month, are you ready? Do you need more tickets? Have you volunteered to help? If you answered "No" to the last two questions then all three of them are "No". We need your help. Please do what you can to make our show a success. At the Board Meeting it was decided to present lottery scratch off tickets to Members in attendance at the general meeting on the Month of their birthday. Retroactive to January. Please attend all the meeting you can, not just the month of your birthday. We would like to see you.

MY FAVORITE ROCK Program by Jeff Parker

Calling all Members. Due to the Tucson and Quartzite Shows next month, I am finding it a bit difficult to locate a program speaker for our next meeting. So as an alternative, and so we have some kind of program, I'm asking all you good members to please bring at least one of your favorite Rocks or Minerals to our February meeting and tell something about it. Why is it your favorite — What it is — Where did you find or buy it, and anything else you may want to share about it.

It's said that this subject always has appeal and may provide our members with a lot of laughs as well as appreciation for fellow member's collections. So lets give it a try and who knows, we may want to do it again.

February Meeting

Date: **February 10**

Time: 7:30 p.m.

Place: Veterans Hall (See birthday **NOTICE**.)

Coming Attractions

NOC Club Activities

Cab Classes at Walt Messemer's; 7-10 p.m.
every Monday & Wednesday Evening.

Regular Meeting — February 10

Field Trip to Quartzite — February 4 - 8

Board Meeting — February 24

Deadline for NOC News — February 24

Field Trip to Stoddard Wells — March 20-23

Our 14th Annual Show — March 28-29

Interim Editor

by Don & Loretta Ogden

We need articles from all the members. Share some of your lessons learned as a rockhound. This month MEMBERS SPOTLIGHT features Bob and Beverly Berg.

We would like to have different club members featured each month. So, send in a photo, and an article of your rockhound experience. If you need help in writing an article, use Walt and Joans article that appeared in the November 1997 NOC News as a guide.

Our Web Site

<http://home.inreach.com/o-nocgms>

Membership Dues

are due now!

Dues are due January 1, 1998. Individuals pay \$10, a family pays \$15, and a junior pays \$3. Pay your dues to Bill Burns, Treasurer.

Coming Shows and Events

FEBRUARY 4 - 8, QUARTZITE, AZ
QIA Pow Wow

FEBRUARY 13-22, INDIO, CA
Southern Calif Micro Mineralogist
Pacific Conference
San Bernardino County Museum,
2024 Orange Tree Lane
Juanita Curtis (562) 427-0657

FEBRUARY 21-22, NORTH HOLLYWOOD
Del-Aair, Sierra Pelona, VIP, &
Woodland Hills clubs
Valley Plaza Rec Center
12240 Archwood St.

Hours: 10-5 both days
Mary Backus (805) 758-9886

FEBRUARY 17 - MARCH 8, IMPERIAL, CA
Imperial Valley Gem & Mineral Soc
Gem & Mineral Bldg, Calif Mid-Winter
Fairgrounds - Hwy 86
Hours: Noon -10 Fri 10-10 Sat & Sun
4-10 Mon thru Thur
Jacque Swerdfeger (700) 344-6230

MARCH 28 - 29, LA HABRA, CA
NOC Gem & Mineral Society
La Habra Clubhouse
200 W. Greenwood
Mike Maneth (562) 944-8628
Pat Maggs (562) 691-2840

JULY 3- 4, MONTEREY, CA
CFMS Show & Convention
Monterey Fairgrounds
2004 Fairgrounds Rd.
Kay Carter (408) 422-0530

Refreshments

by Sandy Mogan

Pat Maggs and Irene Veloz will provide Refreshments for our February 10 meeting.

Thanks to Sandy Mogan for the delicious refreshments we had at our January meeting.

NOTICE

Birthday boys and girls **present** at the February 10th meeting will receive a birthday card with an enclosed scratch out ticket. This will be for **January** and **February** birthdays. Remember, you must be **present**.

Members in the News

HAPPY BIRTHDAY **again** and have a wonderful day all of you who were born in **January**.

Alice Livezey - Jan 16
Don Livezey - Jan 17
Pat Maggs - Jan 23
Jane Hendrixson - Jan 27

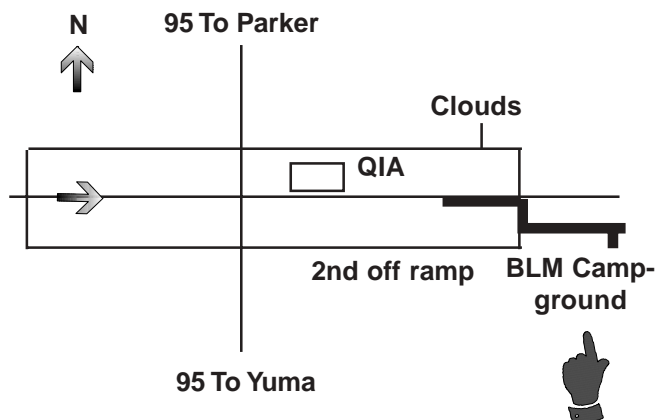
Your birthtone is Garnet.
Your flower is Carnation or Snowdrop.

HAPPY BIRTHDAY and have a wonderful day all of you who were born in **February**.

Frances Troemmer - Feb 2
Chalmer Steed - Feb 3
Zeke Wilder - Feb 9
Al Hermosillo - Feb 24

Your gemstone is Amethyst.
Your flower is Primrose or Violet.

Map *Change* to Quartzsite Campsite



MEMBER SPOTLIGHT



Bob and Beverly Berg are shown, in the picture, as selling clocks in Quartzsite, Ariz. That was a long time ago. In the past, as dealers, they have also sold rock slabs and jewelry.

Floyd and Muriel, also known as Bob and Beverly, lived in Whittier when they became rock hounds. They are both past presidents of the Whittier Gem and Mineral Society. Now they live in Wildomar which is close to Lake Elsinore. They are members of the North Orange County Gem and Mineral Society and Lake Elsinore Gem and Mineral Society. They are also members of Valley Prospectors, a gold finding club. Yes they do!

Floyd 'Bob' has enjoyed faceting plus casting and fabricating jewelry. Muriel 'Beverly' favors collecting fossils, making jewelry, and displaying at gem shows. Last fall, they collected several first in the Farmers Fair in Riverside County.

Both have been chairpersons of committees for large CFMS gem shows. Both have been chairpersons of CFMS committees. Muriel 'Beverly' has been honored by the CFMS with the Golden Bear Award in 1996.

Both are retired teachers and enjoy field trips and working at club shows. Muriel 'Beverly' is presently on the Scholarship Committee at CFMS and Floyd 'Bob' is Federation Director for the Lake Elsinore Gem and Mineral Society. Check our web page at <http://www.inland.net/~rockyb>.

Location of Quartzite Field Trip Campout Change

by Don Ogden

Our February field trip is to Quartzite. The QIA Pow Wow is scheduled from February 4 to 8. Cloud's will also be open. Bring firewood as we usually have some beautiful evenings for campfires. Be prepared for cold nights. Weather permitting, we will have a potluck dinner Saturday

evening at 4:30 p.m. California time.

We will camp next to the SWBA and Delvers. The easiest way to get to the campsite is to take the second off ramp, and follow the road next to the highway. There is usually a large group of signs. Look the signs over and see if we have one posted (NOC Gem & Mineral Society). Then look for Delvers or SWBA signs (pie plates). The SWBA is the Blue Grass group.

General Meeting January 13

by Susan Hansen, Secretary

The **meeting** was called to order at 7:35 p.m. by President Mike Maneth.

Flag salute was led by Linda Parker.

The **program** was presented by Chuck Pearson who spoke on Casting. He can arrange to give classes at his home if members are interested.

The **minutes** of the last meeting were printed in the newsletter. They were accepted as written.

Bill Burns gave the **treasurers report**. He reminded us **DUES ARE DUE**.

Education - The cards are available for the cabbing classes, \$25 for 12 classes. Twelve members came to the Wedgeworth Elementary School for the Science Center workshop. There were 15 kids there this year. We were asked if we could set up a similar project for the 4H probably in March or April. Kay Young will get the info. Pat Maggs went to the Library and put in a display of some rocks. We can put a case in for March about March 1st. Rough and cabs, some samples, etc. The case is about 5' x 2' with one shelf. Jane Livezey will put a case in Placentia Feb 1 - Mar 1, she needs material.

Show - Pat and Mike went to the warehouse and checked the banner. It needs to be painted with the new dates. We need grab bags, 10 from each member, with 8 identified rocks preferably. There is a sign up sheet being passed around for those who want to put in a case and indicate if need club to provide one. Don and Loretta did 1500 flyers, take home and pass them out. Don also copied the folder with info about the club. They have tickets for members to pick up to sell. If need more just ask.

Federation Report given by Izzie Burns. ALAA has 2 bills it is trying to present to Congress. Clubs and individuals can join.

Hospitality and Membership - Sandy Mogen reported we have 20 members and 3 guests tonight, Gary and Sandy Moore, Chuck Pearson. The refreshments list went around. Feb is Pat Maggs and Irene Veloz.

Loretta Ogden conducted the **drawing**.

Field Trip Report - February is Quartzsite, there is a map in the newsletter, and Mike brought another to hand out. We will be in a new area with SWBA (Bluegrass group) and Delvers off the Frontage road the other side of Clouds.

Stoddard Wells show is 3/20 - 3/23, the week before our show, and Pat Mogen can arrange a tour of the glass factory at Victorville, it takes about 1/2 hour, would be on 3/23.

There was no old business.

New Business - **Chalmer suggested we try to get articles in the local papers for membership.**

Jane Livezey has a list of the papers.

The **board meeting** will be 1/27.

The **Monrovia** show will be March 7 & 8.

The **meeting adjourned** at 9:30 p.m.

Garnets, the January Birthstone

Garnets usually a red gemstone is known in history from as early as 500BC. The name comes from the Latin word for Pomegranate, because they were found to look like pomegranate seeds. In ancient legends and traditions, the garnet was said to have magical powers. Garnets were sometimes engraved with the figure of a lion, Simbas. They Served as charms to cure diseases, preserve honor and health, and protect travelers.

Gannets vary in color. Pyrope is purplish red to dark red. Almandine is deep red or brownish red. Spessartine is red to reddish orange. Grossular are even green. In 1972, a rich green emerald colored grossular garnet was found in Tsavo, Kenya. The name Tsavorite was given to this new stone. As it is rare it rose to fame and in price immediately.

Garnet is not one mineral, but a family of silicate minerals that crystallize in the cubic system. They are mainly found in metamorphic rocks. There are many places in the world where garnets are found, including California. One kind of garnet was named Californite for where it was first found. It is a pale to medium green in color. The most well known garnets are pyrope, almandine, spessartine, uvarovite, grossular, and andredite. More information about these gemstones can be found in an encyclopedia or books of gemstones.

Amethyst, February Birthstone

Amethyst is a crystalline quartz; it occurs in distinct, visible crystals of a violet or purple color. The lightest color of pale lilac shade is known as the Rose of France; and the deep purple stones that have a glint of red are known as the Siberian. The name Amethyst is from a Greek word which means not drunken. The Greeks believed that the wearing of amethyst prevented drunkenness.

Principal places where amethyst is found is Brazil, Zambia, Russia, Africa, India, Arizona, North Carolina, and a small amount in California. Before the discovery in Brazil, amethyst was a relatively expensive gemstone. It was highly treasured in history and was frequently used in crowns and art objects of royalty. Still fine large gems are treasured, such as, the 1362 carat Brazilian and the 202.5 carat stone from North Carolina that are exhibited at the Smithsonian Institute.

Identification of Amethyst

Chemical Formula: SiO_2

Hardness: 7 on the Mohs Scale

Specific Gravity: 2.6 to 2.9

Crystal Form: Hexagonal

Color: Purple

Luster: Vitreous (greasy, wax)

Lesson chemical formula:

Gemstones are minerals that are known for their beauty. Minerals are composed of elements that are chemically joined. Over 100 elements are known. Many of these have been known since early times, but the latest elements were found in atom splitting experiments. The 9 elements of the earth join chemically to make all of the minerals. There are over 5000 minerals that have been found in the earth and each year new minerals are found.

The atom, the smallest form of elements, is made of protons, neutrons, and electrons. The center of the atom is the nucleus; it is surrounded by protons with the electrons on the outside. The arrangement of atom's electrons determines with what other atom of an element it will combine and in what proportions. For instance one atom of silica and two atoms of oxygen combine to make quartz. Add a trace of iron to give it color and you have amethyst.

Whether February is your birth month or not you can enjoy wearing a beautiful amethyst.

Getting Ready for The SHOW

Show Cases

Let *Ginney* know if you want to **put in a case** March 27th, Friday. (562-865-2040).

Grab Bags

Also, get your **grab bags** ready. Try to fix 10 bags with 8 identified stones. Still have some cloth bags. Or you can make your own.

Pies

Remember: Each family should bring **2 pies** or **a cake** for the kitchen. Bring **1 pie** if it is sugar free.

Krafty Korner

*by Angie Harwood and
Mary Maneth*

It's about two months away for the NOC Show time. At this time please look around your house and see if you can find some small items that you don't seem to want and you would like to donate to Krafty Korner. Also items that you wish to make or sew. Plants planters (small). Put your price or Mary and I will price them for you. All items not sold will be given away if not picked up at close of show.

Donation Award Donations

It's time to gather the things you want to give as donation award prizes again. I ask you to be generous and proud of your donation. This year I would like to acknowledge the creator or benefactor by name to the recipient.

I would appreciate hearing what you intend to donate any time before the show but do not need them until the Friday night before the show.

Thank you ahead, Loretta 909 598 2456

Donation Awards Tickets

This is an important part of our fund raising and the tickets are waiting for us to sell.

See Loretta Ogden for tickets.

Tickets \$1 each or 6 for \$5.

CFMS News

Summer Vacations

by Izzie Burns

Are you thinking that summer will soon be here and have a longing to do something exciting? Let me make a few suggestions.

The CFMS Show is on the CENTRAL COAST for the first time ever. It is at the Monterey Fairgrounds. Lots to do there - see old friends and make new friends; check out the fifty or so dealers for new ideas, specimens and supplies; watch 16 or more lapidaries demonstrate; hear some select lecturers; and museum and members exhibits. They tell me that the Marina there is unsurpassed by any; so why not slip away for a day and see it.

If you want more adventure, try two weeks in Montana with a chance to collect Montana agate, Petrified Wood, Jaspers, Pyrites, Fortification agate, dinosaur bones, Horn coral, etc. These nine trips are free, but there are five other trips for a fee to collect bone for dinosaurs, Spencer opal, etc. This is planned to coincide with the Northwest Federation Show and Convention in Billings, Montana. These trips will start June 6 and run through June 21 with the Northwest and Billings show scheduled for June 12 - 14.

If you still want to venture into the collecting field try an area with Lake Superior on three sides, the A.E. Seamon Mineral Museum, a beautiful forested landscape, a unique set of geological circumstances providing marvelous field collecting. This is Houghton, Michigan where the Copper Country Rock & Mineral Club is hosting the Midwest and American Federation Convention. With the assistance of the Michigan Technological University they have planned 20 guided collecting trips. Some of these will be to privately owned rock piles, some are to under ground collection tours. A complete list of collecting sites is provided on WEB SITE www.portup.com/~swhelan/ccrnc/ The dates for this great trip

is August 11 - 16. Walt Abramson knows this area well.

Don't these trips make you want to pack the gear in the rig and hit the road. If you want more information, please contact me.

Izzie Burns.

Showmanship

by Marjorie Horsefall

Since Bruce and I have been involved in the judging at the California Federation Show for several years, I appreciate the problems of displaying your work at all levels, at home, at your local show and in Federation competition. The big show is coming Aug. 7,8, 9, 1981 where you can see, evaluate and learn how to better display your material at the Whittier Show this fall. If you are displaying for the first time, the following pertinent information will be valuable. Can you make your case more attractive or can you improve your past performance?

The foremost display rule is "Your display should enhance your specimens not the opposite". Use plain, light-colored lining material for finished stones and jewelry. Ironed white cotton sheeting gives a good background. For large or dark-colored minerals, fossils, artifacts etc., rough, textured, darker material may be suitable. Cloth, paper or wood liners may enhance the large colorful specimens. If, at any time the lining is the most conspicuous, eye-catching part of your display, it's time to change it.

The case should never be crowded and there should always be a point of interest. The most common mistake of beginners is to crowd their show cases, trying to display all their best work. Leave some for the next show. An odd total number of specimens is good. The specimens should form a point of interest. When you first look at your case, your eye should focus on the point of interest e.g.,

the largest specimen or the most beautiful or the brightest colored specimen; then your eye should follow to the other material in the case. Lighting is important but in competition you are limited by show rule wattages and your case. Place your finest specimens where the illumination is best. Opal, fire agate, faceted stones etc., especially need good lighting. Long pins and T-pins used to hold specimens in place should be colored like lining (dipped in paint) so they are inconspicuous. Labels should be clear and sharp and readable with pressing your nose on the glass. Typed labels are too small.

1997 Show



Mary Maneth & Angie Harwood in the Krafty Corner



Pat Maggs Setting Up



Virginia Grafton and the Beads



Jeff & Linda Parker Cecking on the Slabs



Jerry Grafton & Mike Maneth Cutting Geodes

THE NAMING OF A ROAD

Wiley's Well

by
Joan Abramson

Weddings are cancelled for various reasons—
Illness, cold feet or mere inclement seasons.
But Betsy's sad nuptials came to an end
When Wiley, her lover, just "went /round the bend."
Now Betsy was purely a rockhound's true daughter—
She dug holes and filled them and washed rocks in
water.

She cut slabs and polished and tumbled her stones
And cherished fish fossils and dinosaur bones.
The desert entranced her, each lovely small flower;
The moon and the stars she could watch by the
hour.

She revelled in sunsets and campfires bright
And the warmth of the fellowship shared every night.
When Wiley proposed, Betsy's heart leaped with joy.
She arranged a fine wedding with her city boy.
She coached him in rockhounding methods and
rules:

He lugged all the lunches, the rock bag and tools.
Now Wiley adopted a docile-like role
While Betsy determined to take full control.
She'd make him a rockhound and bent to the task—
She didn't know Wiley was wearing a mask.
He longed for bright lights and conveniences all;
The desert repelled him—he hear dnot its call.
He loved his fair Betsy but wanted to change her.
She soon met resistance—he seemed like a
stranger.

The wedding arrangements she made all alone,
A simple affair out with cactus and stone,
Beneath the blue heavens with air clear and clean,
With word of great meaning—a beautiful scene.
Betsy repeated her vows with great spirit.
Her lover's eyes glazed as though he did fear it.
She'd said her, "I do" with such warm, heartfelt
feeling,
But the bridegroom's response sent the poor lady
reeling.

The parson had challenged with words loud and
terse,

"Do you take sweet Betsy for better or worse?"
The young man turned pale. Then clear as a bell
The whole congregation could hear Wiley's, "Well . . ."
The courtship was over; the groom quickly left,
But Betsy, true rockhound, was not quite bereft.
She gathered her rock pick, her chisel and gad,
A woman much wiser but not really sad.
The distant hills beckoned—she made a firm choice:
Rocks beat reluctance in a loth lover's voice.



Things We Can Learn from a Dog from The Elkcast



Be loyal.
Run, romp, and play daily.
Eat with gusto and enthusiasm.
Take nap and stretch before rising.
Delight in the simple joys of a long walk.
Avoid biting when a simple growl will do.
Never pretend to be something you're not.
Thrive on attention and let people touch you.
If what you want lies buried, dig until you find it.
Never pass up the opportunity to go for a joyride.
When it's our best interest, practice obedience.
Let others know when they've invaded your territory.
When loved ones come, always run to greet them.
On hot days, drink lots of water and lie under a
shady tree.
When you're happy, dance around and wag your
entire body.
Allow the experience of fresh air an the wind in your
face to be pure ecstasy.
Not matter how often you're scolded, don't buy into
the guilt thing and pout...run right back and make
friends.
When someone is having a bad day, be silent, sit
close and nuzzle him or her gently.

E-Mail

Bob & Bev Berg - rockyb@inland.net
Bill & Izzi Berns - BizziB@worldnet
Don & Loretta Ogden - donogden@aol.com
Jeff & Linda Parker - o-nocgms@inreach.com